

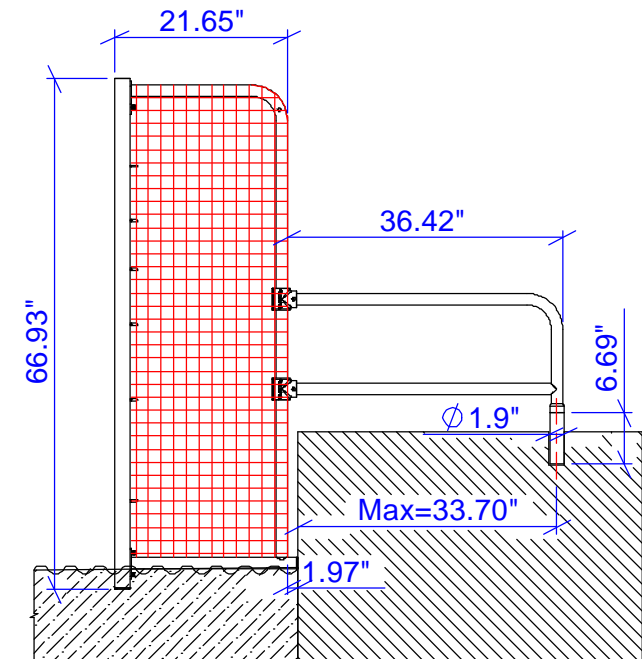
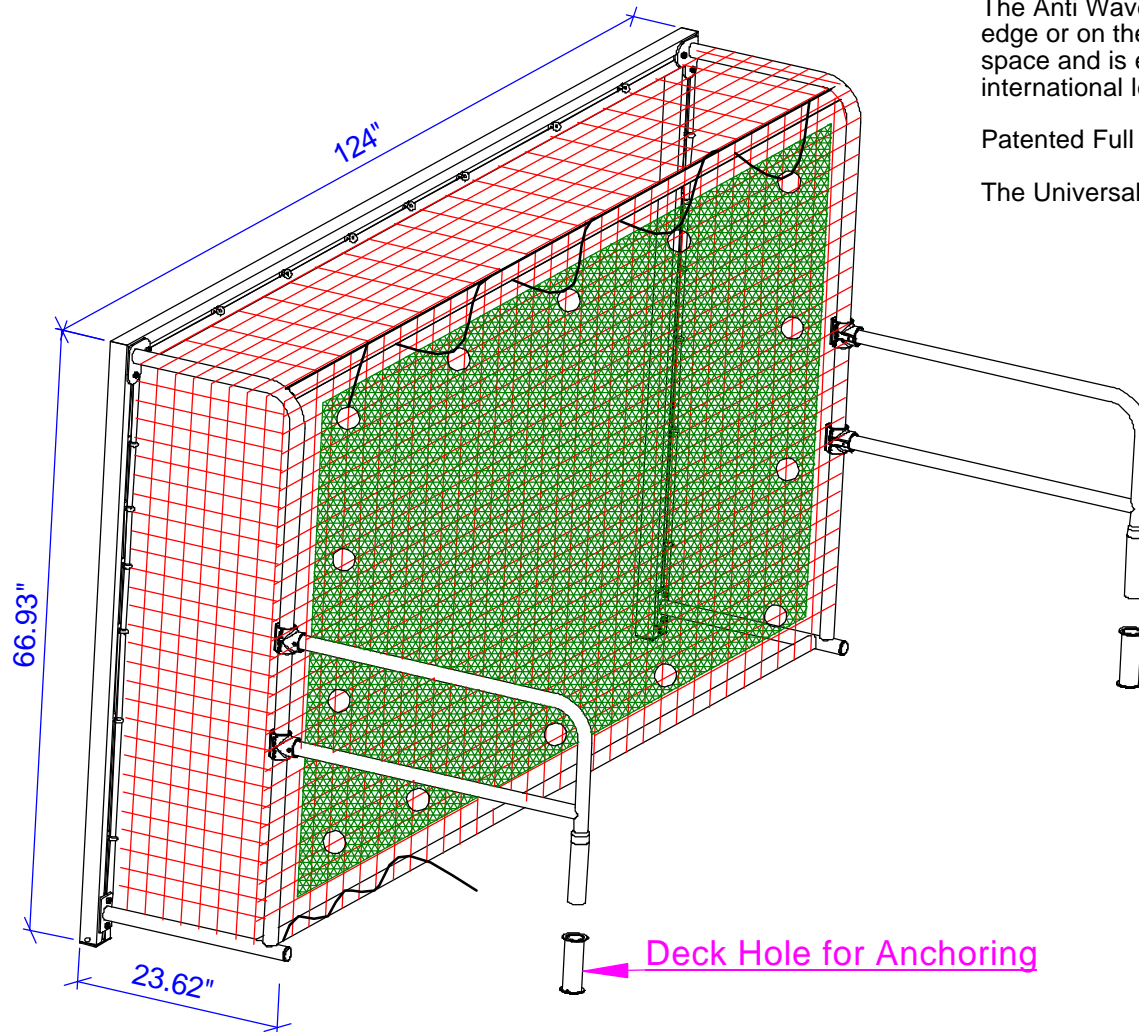
Universal Long Wall Goal

Note:

The Anti Wave Universal Long Wall Goal is designed to anchor nearest the pool edge or on the movable bulkhead, it is configured to get the most out of restricted space and is excellent for training, social matches, and for competition below the international level.

Patented Full Red net and Canvass are very strong and durable.

The Universal Long Wall Goal is the goal to fit the shallow or deep end of the pool.



PROPRIETARY AND CONFIDENTIAL
The information contained in this drawing is the sole property of ANTI WAVE, any reproduction in part or as a whole without the written permission of ANTI WAVE is prohibited.

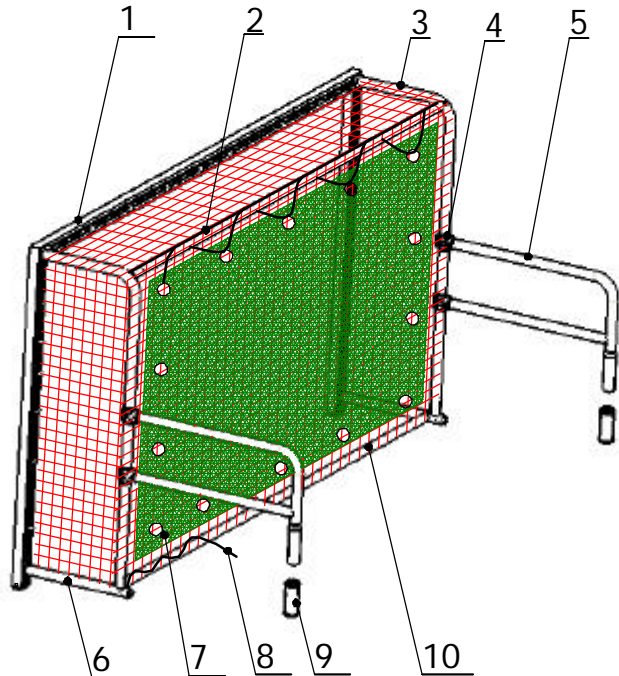
Project Name:
Universal Long Wall Goal
Drawn Philip Scale No Patent 4048677

Product Name:
Assembly Instruction

Project No.	AWE00410	Product No.	01
Drawn Date	2006-08-14	Verify Date	2006-08-17
Revise Date	2006-08-18	Verify Date	2006-08-21

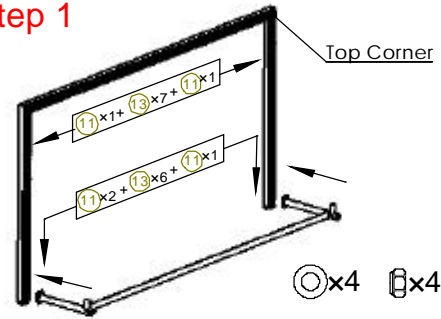
Universal Long Wall Goal Assembly Instructions

General Sketch



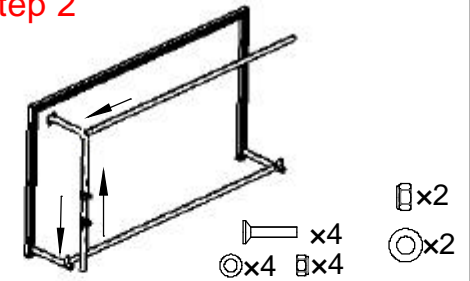
No.	Name	Qty
①	Front frame	1
②	Top tube for Canvass	1
③	Side Frame	2
④	Aluminium "T"	4
⑤	"F" Frame	2
⑥	Bottom Frame	1
⑦	Canvass	1
⑧	White Rope	2
⑨	Deck Hole Anchor	2
⑩	Red Net	1
⑪	M8x30 Slide Block	8
⑫	M8 Lock Nut and Washer	8
⑬	Eyelets	19
⑭	M6X70 Round Head Bolt	4
⑮	M6X25 Countersunk Bolt	8
⑯	M6 Lock Nut and Washer	4
⑰	Set Screw	8

Step 1



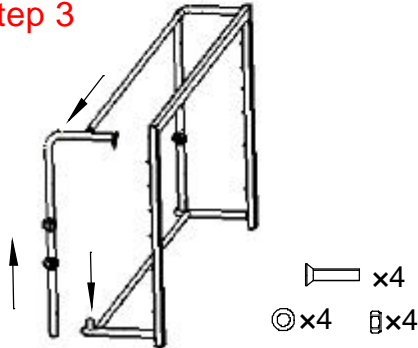
Open the Parts Bag, take out Slide Blocks and Eyelets, Slide them as above from top corner of Front Frame, then use Slide Block, Washer and Lock Nut to fix Bottom Frame to Front Frame. Note that the bolts crewed not tight.

Step 2



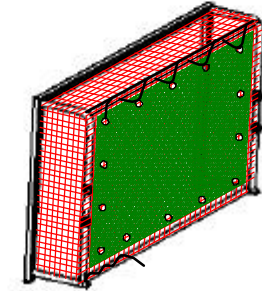
Slide Aluminium "T" from the bottom of Side Frame, use Slide Blocks ,M8 Lock Nuts and Washers to fix Side Frame to Front Frame, then use M6X25 Countersunk Bolts, Washers, Lock Nuts to fix Side Frame to the Bottom Frame.

Step 3



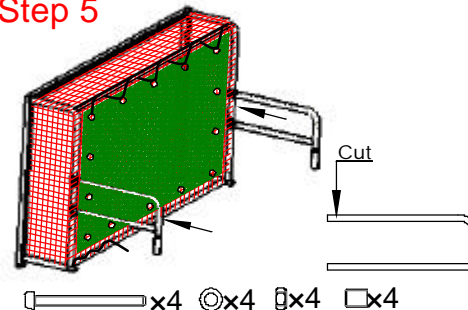
Slide Aluminium "T" from the bottom of Side Frame, use M6x25 Countersunk Bolts, Washer and Lock Nuts to fix the Top Tube to the Side Frame, fix the Side Frame to the Front Frame.

Step 4



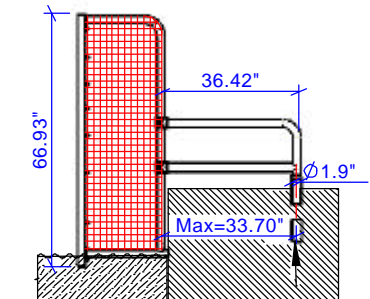
Use the White Rope to traverse the holes of Canvass to fix the Canvass to the Bottom Frame, Side Frame and Top Tube, then fix the Red Net to the Eyelets and lace it around the Side "L" Frames with White Rope.

Step 5

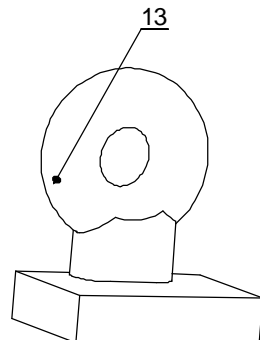
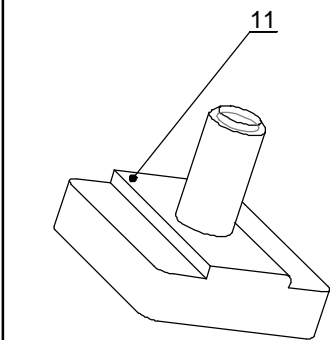


Cut the "F" Frame to fit the Pool. use the M6x70 Round Head Bolts, Aluminium "T", Washers, Lock Nuts and Set Screws to fix it to the Side Frames.

Step 6



Insert the Leg of "F" Frame into the Deck Hole Anchors which you casted in the concrete(pls as close to pool edge as possible) two weeks ago to install the Wall Goal to the Pool.



PROPRIETARY AND CONFIDENTIAL
The information contained in this drawing is the sole property of ANTI WAVE, any reproduction in part or as a whole without the written permission of ANTI WAVE is prohibited.

Project Name:
Universal Long Wall Goal
Drawn Philip Scale No

Product Name:
Assembly Instruction
Patent 4048677

Project No.	AWE00410	Product No.	02
Drawn Date	2006-08-14	Verify Date	2006-08-17
Revise Date	2006-08-18	Verify Date	2006-08-21